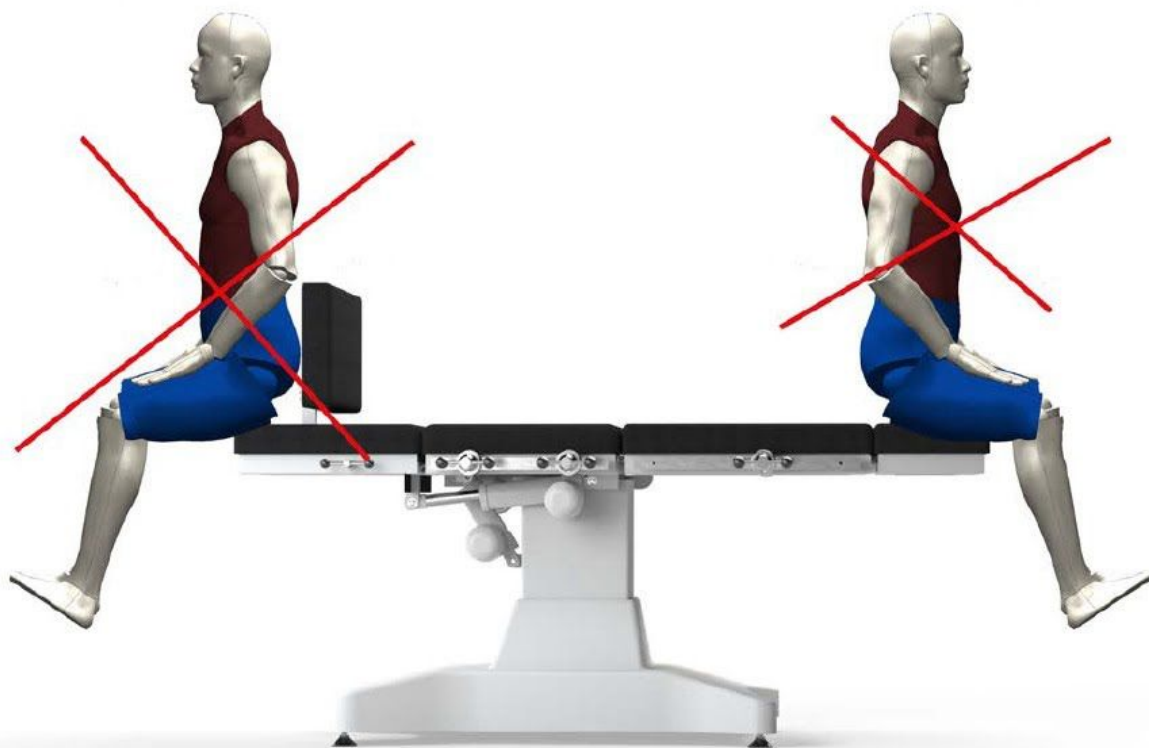


PATIENT POSITIONING

For a safe patient positioning, ensure the patient sits in the seat section



Do not sit on leg or head section. It is not safe for the patient and for the chair, minor injuries or chair damage will occur.



ARSIMED MEDICAL

ST04-S

ARCMIMED MOMENT SURGICAL
TABLE (4 Motors)

SERVICE MANUAL

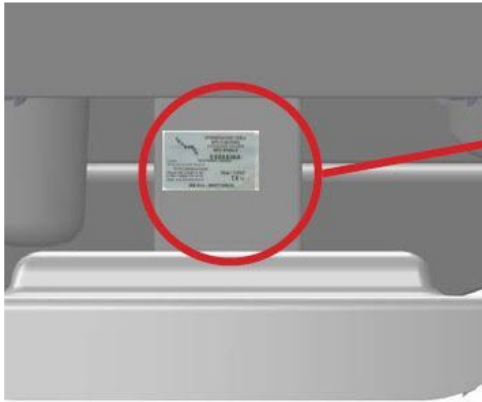


PRODUCT INFORMATION THAT YOU NEED TO PROVIDE FOR SERVICING

DATE OF PURCHASE	
SERIAL NUMBER	
MODEL NUMBER	
NAME OF OWNER / FACILITY / DEPARTMENT	

If the table was purchased from an authorized Arşimed Medical dealer, please fill out the section below.

DEALER'S NAME	
DEALER'S PHONE NUMBER	
DEALER'S ADDRESS	



Serial Number

Arşimed Medikal Kozm.San.Tic.Ltd.Şti.

Tel: 00 90 216 567 8 567

Faks: 00 90 216 567 8 367

Web: www.arsimed.com.tr E-mail:

info@arsimed.com.tr

CHAPTER 1	
INTRODUCTIO	
NTypographical Conventions	5
Operating Precautions	6
Features	6
Technical Specifications	7
Electrical Description	8.
Product Symbol Definitions	9
table Components.....	10
Operating Instructions For OT03-S GYNAECOLOGY TABLE	11
Using The Handset.....	12
Entry Position	13
Trendelenburg position	14
Back Section Positioning	15
Table Height Positioning	16
Adjusting Headrest.....	17
table Dimensions	18
CHAPTER 2	
PART LIST and ASSEMBLY	19
Low Chassis	19
Leg Rest	20
Head Rest	21
Seat & Motor Compartment	22.
Back Rest	23.
Arm Rest	24
4	
CHAPTER 3	25
CLEANING AND GENERAL MAINTENANCE	25
CHAPTER 4	26
WHAT TO DO IN CASE OF A POWER CUT	26
CHAPTER 5	27
UNPACKING AND MOVING THE	27
CHAPTER 6	28
LIMITED WARRANTY INFORMATION	28

CHAPTER 1

INTRODUCTION

Purpose

Please read the instructions before using the table. This booklet includes necessary information for the use and operation of the **ST04-S MOMENT SURGICAL TABLE (4 Motors)** . Please make this booklet available to the operators who will operate the table and inform any risks that may be encountered while operating the table.

Audience

This manual is intended for use by facility-authorized personnel only. Failure to observe this restriction can result in severe injury to people and serious damage to equipment.

Typographical Conventions

This manual contains different typefaces and icons designed to improve readability and increase understanding of its content. Note the following examples:

Standard text—used for regular information.

Boldface text—emphasizes a word or phrase.

NOTE:—sets apart special information or important instruction clarification. The symbol below highlights a **WARNING** or **CAUTION**:

Warning and Caution



- A **WARNING** identifies situations or actions that may affect patient or user safety. Disregarding a warning could result in patient or user injury.

-A **CAUTION** indicates special procedures or precautions that personnel must follow to avoid equipment damage.

The symbol below highlights a **CAUGHT HAZARD**

WARNING: Caught Hazard Warning



The symbol below highlights an **ELECTRICAL SHOCK HAZARD WARNING**:

Electrical Shock Hazard Warning



Operating Precautions

Before operating the **ST04-S MOMENT SURGICAL TABLE (4 Motors)** , be sure that you have read and understand in detail the contents of this manual. It is important that you read and strictly adhere to the safety precautions.

For additional operating precautions for the **ST04-S MOMENT SURGICAL TABLE (4 Motors)** and its accessories, refer to the **ST04-S MOMENT SURGICAL TABLE (4 Motors) User Manual**.

Features

The **Arsimed Medical ST04-S MOMENT SURGICAL TABLE (4 Motors)** incorporates three independent motors to raise and lower the following table features:

Head & Back

section table height

Trendelenburg

table Positions

The **ST04-S MOMENT SURGICAL TABLE (4 Motors)** has four sections: head, back, seat and foot . The table positions are shown as follows:

Trendelenburg

Position Back

Table height Position

ELECTRICAL DESCRIPTION

Mains Power Requirements

Condition	Range
Rated voltage	110 V - 230 V
Power/input	6A / 2A
Frequency	50 Hz - 60 Hz

The electrical power system is insulated from the metal parts of the table. No additional electrical components, such as isolation transformers, are required to make this table meets applicable electrical codes.

All patient support surfaces are fully grounded through a three-wire power cord having a hospital-grade, 3-prong, grounded plug.

Each table is factory-tested for complete operation with and without a load.

Each table is tested for insulation integrity and micro-current leakage.

PRODUCT SYMBOL DEFINITIONS

Product Symbol Definitions






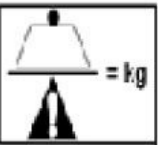


Symbol	Description
	Type B applied part according to EN 60601-1.
IPX4	IEC Standard publication 529
	CAUTION: Consult accompanying documents.
	Conforms to the European Medical Device Directive 93/42/EEC
	Alternative Current
	Direct Current
	Safe working load
	Protective Earthing Ground
	Keep feet clear of this area. Potential for injury.

TABLE COMPONENTS



- 1) HEAD PART
- 2) BACK PART
- 3) LEG PART
- 4) LEG SUPPORT
- 5) HAND SUPPORT
- 6) BOTTOM PART
- 7) ACTUATOR
- 8) LEG
- 9) PUSH SPPORT
- 10) KNEE SUPPORT

OPERATION

1. Step Connect the power cable to in 100V-240V 50Hz/60Hz to turn on the table.
Make sure that power cable is connected into a compatible power source.

2. Step Make sure that the little green light on the handset is on.
If they are not on, please check the whether there is power. If the power is on and handset is off, perform troubleshooting.

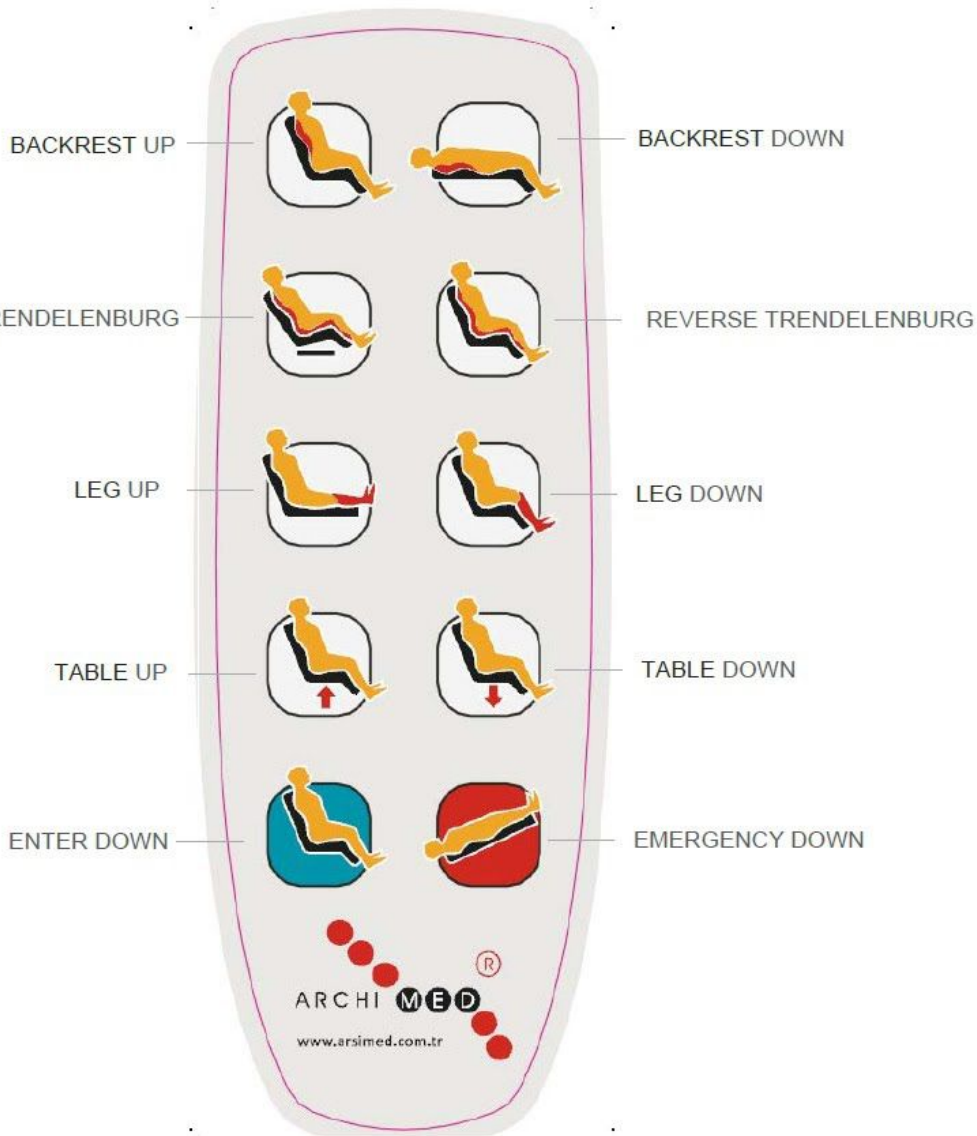


Please make a risk assesment including the below prior to position the patient on the table :

- Risk of getting caught in the table (Hand, arm)
- Possibility to fall off the table
- Patients who have difficulty learning how to use the table
- Curious patients
- Little children
- Mentally handcapped patients
- Unauthorized people

When there is a situation where risk may occur, the tilting adjusting etc. functions should be locked (turned off).

USING THE HANDSET



EQUIPMENT ALERT

The Back function will automatically stop moving when either the Up or Down travel limit is reached, but the actuator motor will continue to run.

Do not continue to operate a function that has reached its limit; this will cause the motor to overheat and may reduce the life of the actuator motor.

Attention: These buttons don't have any function at this table

ENTRY POSITION

ENTRY POSITION



BACK SECTION POSITIONING

The back section can be positioned at any angle between horizontal and +70°.

To adjust the back section from a horizontal position to a table position, depress and hold the Back Up button (1) until the back section reaches the desired angle or the table position is achieved.

To adjust the back section from a table position to a horizontal position, depress and hold the Back Down button (2) until the back section reaches the desired angle or the horizontal position is achieved.

BACK SECTION POSITIONING



Before adjusting the table up or down, make sure that there is nothing (any accessories, objects, cables etc.) under the table. Failing to do so may result in injury or damage to the table.



When positioning the back rest. Look out for objects in the way. Do not let back rest touch objects while in motion. Beep will notify all personell of backrest motion. Should backrest hit an object, motor may break

TABLE HEIGHT POSITIONING

The table top can be positioned at any height between 64-84 CM

To raise the table top upward, depress and hold the table Up button (1) until the table top reaches the desired height or the maximum height is achieved.

To lower the table top downward, depress and hold the table Down button (2) until the table top reaches the desired height or the minimum height is achieved.

HIGH-LOW POSITIONING (table HEIGHT)



NOTE:

The table function will automatically stop moving when either the Up or Down travel limit is reached. Even if its button is depressed, the actuator will not continue to run (as the other actuator motors will). Sensors pre-vent the actuator motor from running when it has reached its Up or Down travel limit, thus preventing excessive wear of actuator due to full weight of table and patient.



Make absolutely certain that no objects (accessories, cable etc.) or person (especially children) are not under the table, and the arms and legs of the patient are not hanging down from the table before elevating or lowering the table. Failure to observe such safety rules may result in serious injury to the patients or damage the equipments.

TRENDELENBURG POSITION

Button for the chair to return to the Trendelenburg position.

TRENDELENBURG POSITION



Before adjusting the chair to trendelenburg position make sure that there is nothing (any accessorizes, objects, cables etc.) under the chair. Failing to do so may result in injury or damage to the chair.

Before bring the chair to trendelenburg position, ensure the safety of patients.

LEG SECTION POSITIONING

The back section can be positioned at any angle between horizontal and +85°.

To adjust the leg section from a horizontal position to a chair position, depress and hold the Back Up button (1) until the leg section reaches the desired angle or the chair position is achieved.

To adjust the leg section from a chair position to a horizontal position, depress and hold the Back Down button (2) until the leg section reaches the desired angle or the horizontal position is achieved.

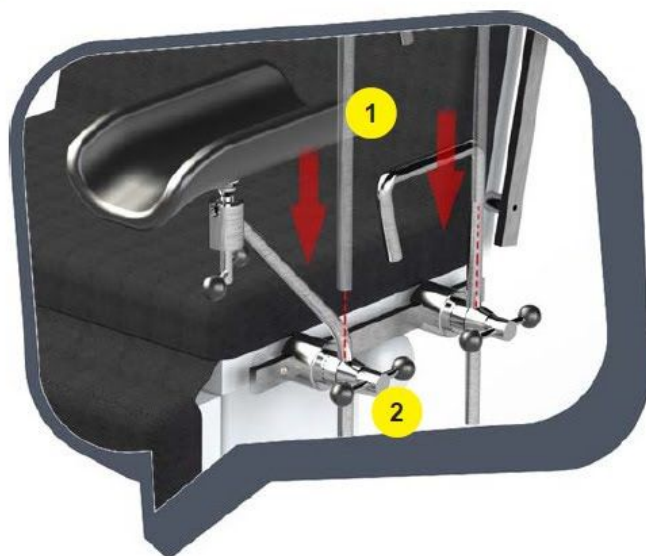
LEG SECTION POSITIONING



Before adjusting the chair to trendelenburg position make sure that there is nothing (any accessories, objects, cables etc.) under the chair. Failing to do so may result in injury or damage to the chair.

Before bring the chair to trendelenburg position, ensure the safety of patients.

LEG AND FOOT SUPPORT ASSEMBLY

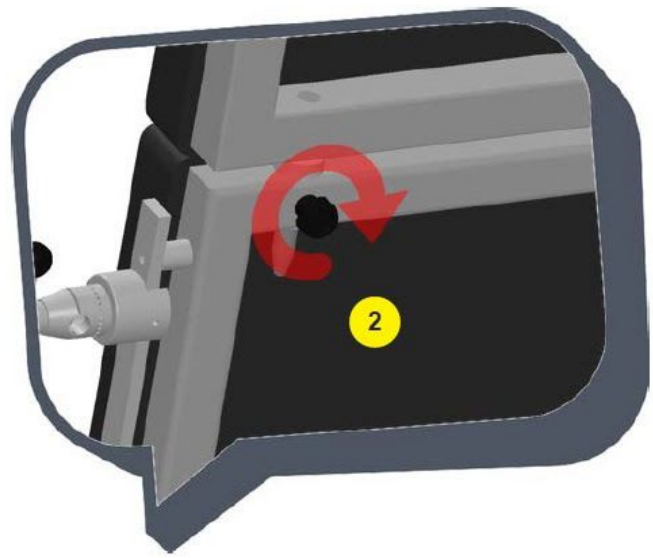


Arm Support (1) should be assembled as shown on the picture, vertical position to the floor.

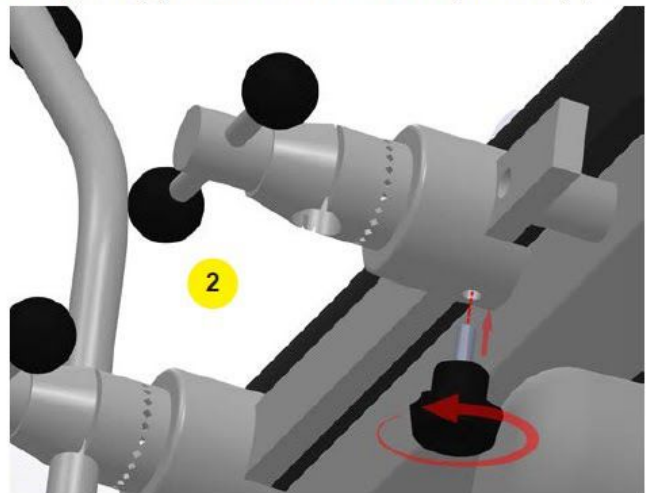
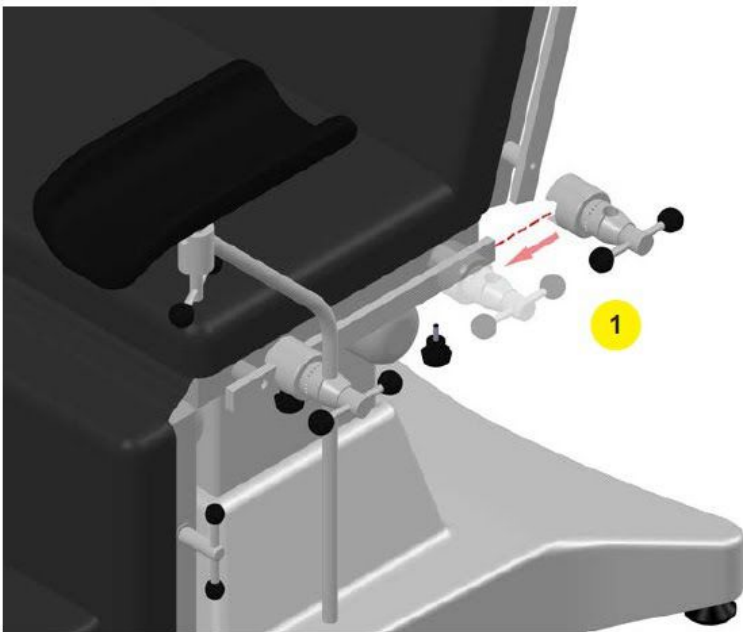


Leg Support (3) should be assembled by handle (4)

HEAD SUPPORT ASSEMBLY



Head support (1) should be assembled by handle (2)



Handles (1) should be placed its guide. As shown in picture (2) can be fixed desired position

CHAPTER 3

CLEANING AND GENERAL MAINTENANCE



Cleaning and general maintenance procedures defined in this manual should be complied.



Do not expose the table to so much moist that liquid may accumulate. Otherwise, injuries to the people or damages to the equipment may occur.

Operating Instructions

- Disconnect the main power of the table.
 - Clean the table with a soft, moist cloth and regular decontaminating agent. Do not use too much water.
 - Dry the table thoroughly before re-using.
1. Light Soiling/Spills:
 - ✓ Solution of 10% liquid soap with warm water applied with a soft damp cloth or bristle brush if necessary.
 - ✓ Wipe away dry
 2. Heavy Soiling/Spills:
 - ✓ Dampen a soft white cloth with naphtha if available and rub gently.
 - ✓ Rinse with a water-damped cloth.
 3. More Difficult Stains:
 - ✓ Dampen a soft cloth with 10% bleach (sodium hypochlorite) and 90% water -- Cavi wipes acceptable alternative.
 - ✓ Rub gently.
 - ✓ Rinse with water damped cloth, wipe dry.



For The Chairs With Batteries:

Never open a discharged battery, dispose of a discharged battery in fire, or have it contacted with water. A new battery should be installed only by an authorized person/technical staff. If the ARSIMED Medical EN14-S ARCHIMED E.N.T. CHAIR STANDARD COLUMN is currently in a ware house – not in operation and supported by a battery, it should be charged in every 3 months to prevent any failure.



Don't use the high pressurized water, any of vaporized cleaning tool, and over 60 ° water.

CHAPTER 5

UNPACKING AND MOVING THE TABLE

UNPACKING THE TABLE

Carefully remove the packing from the table and inspect the table and upholstery for any shipment related damage. If you detect any damage, contact us immediately. Please refer to page to for our contact details.



To avoid any damage to the table, do not use a knife or sharp object to open the chair's packaging and do not lift at the points shown as on the figure below.

MOVING THE TABLE

The table should only be handled and moved by professional personnel.

