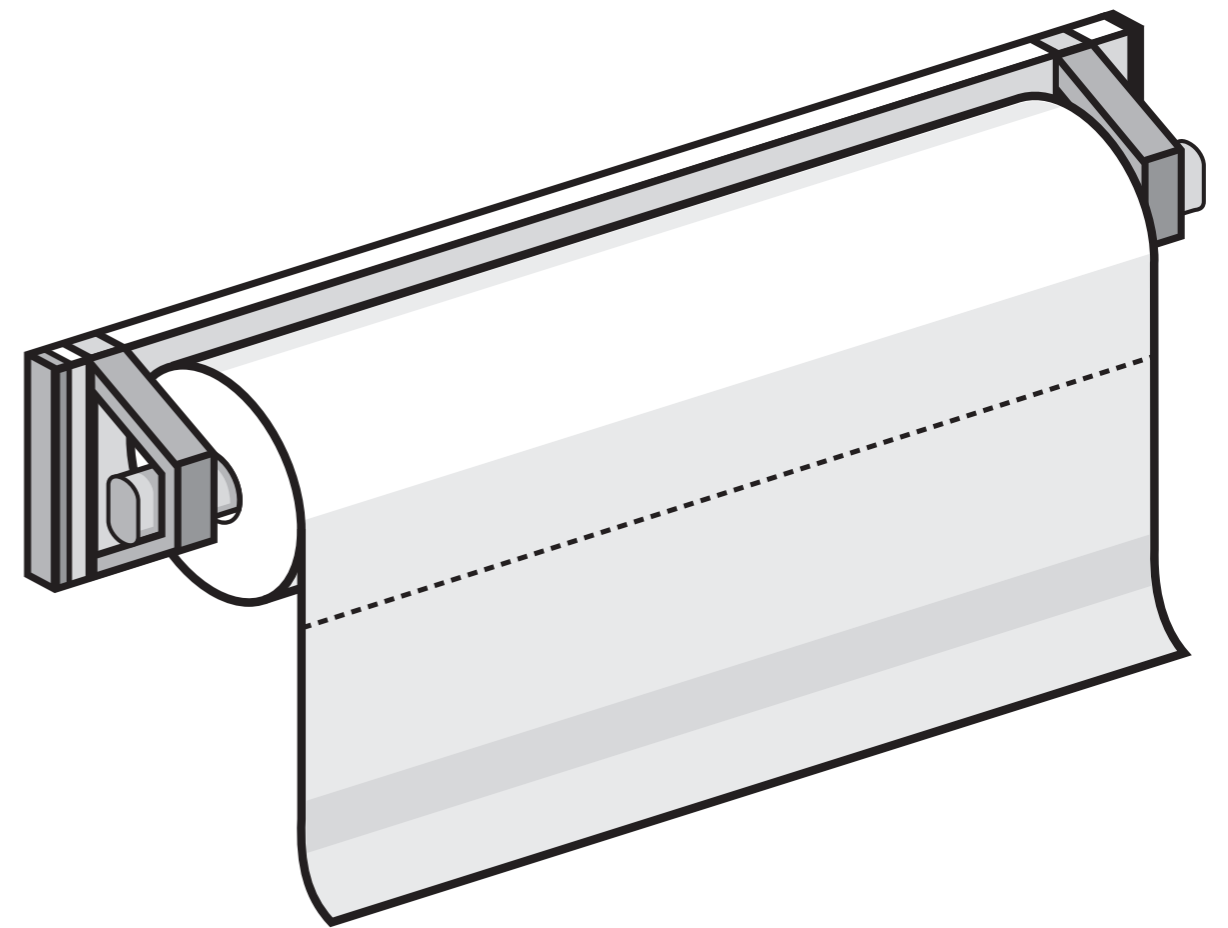
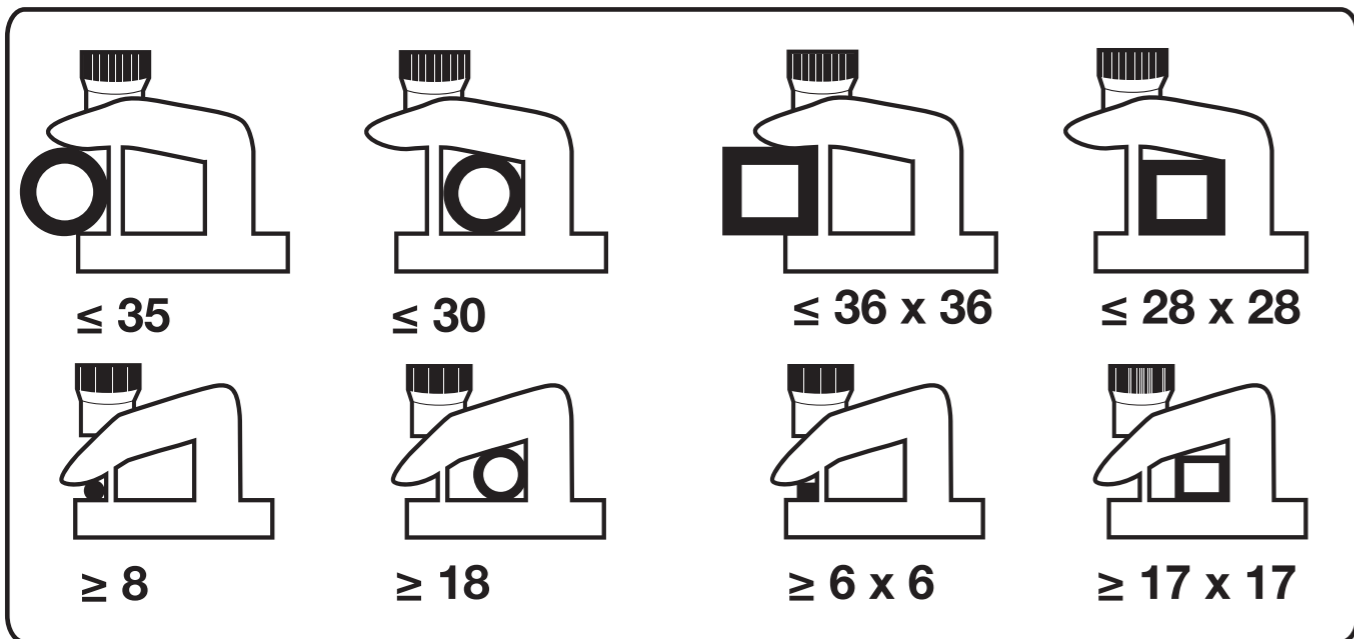


# Couch Roll Dispenser

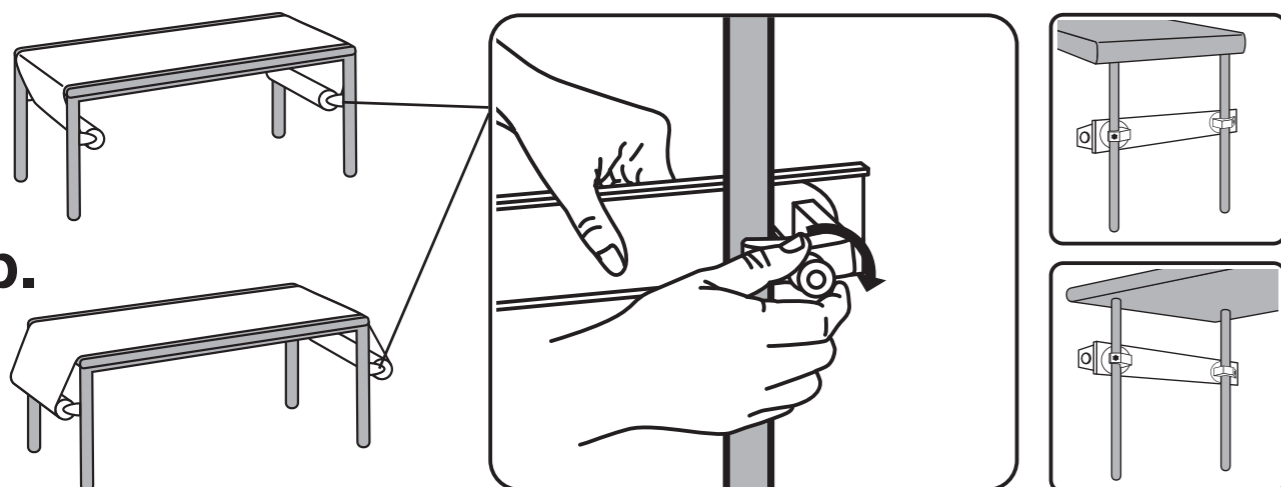
 **PRAXISDIENST**  
Medical Supplies since 1953

 **Order here!**





1 a.



b.



2 a.

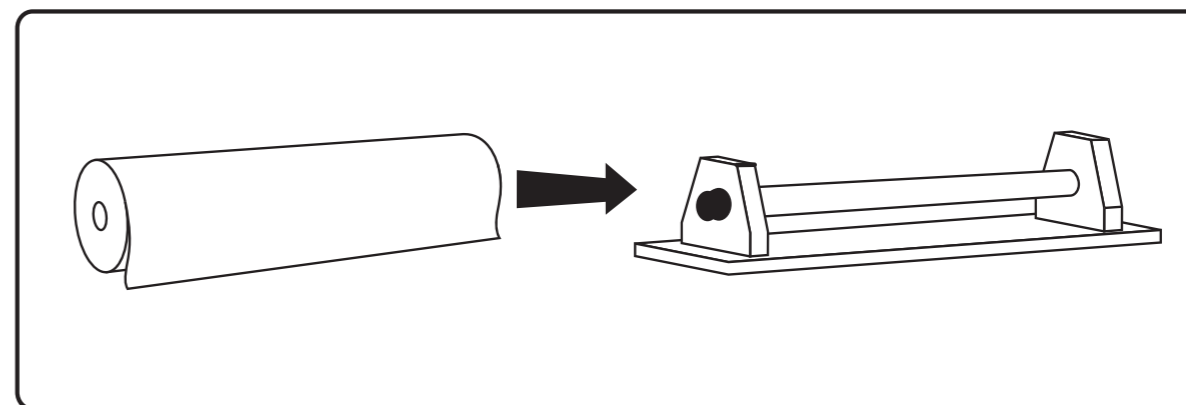
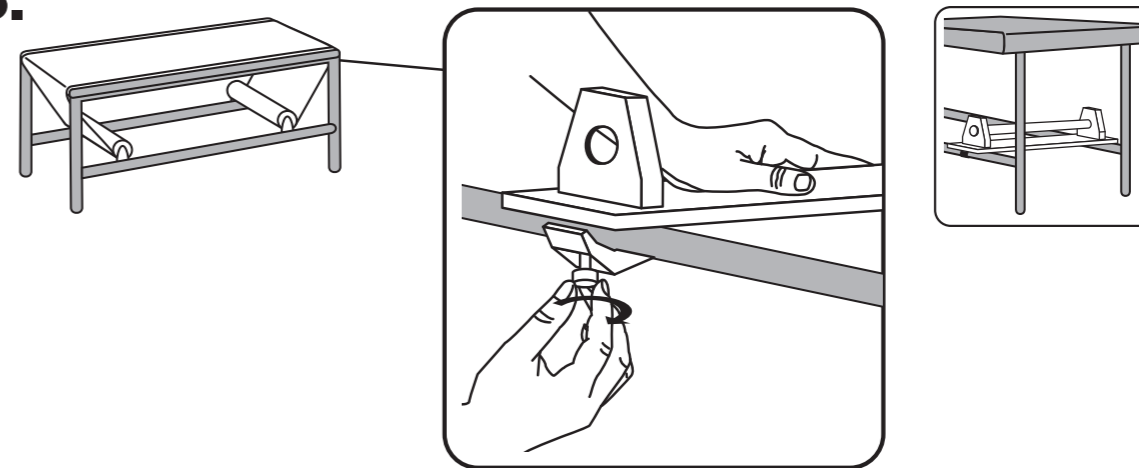


b.

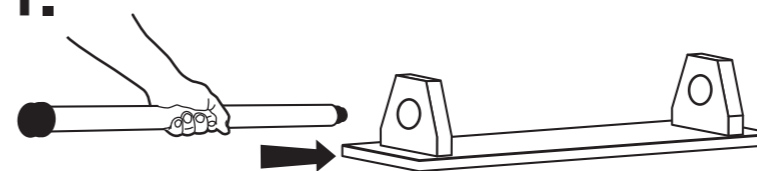


1.

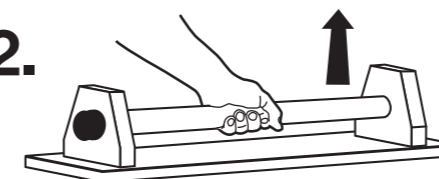
3.



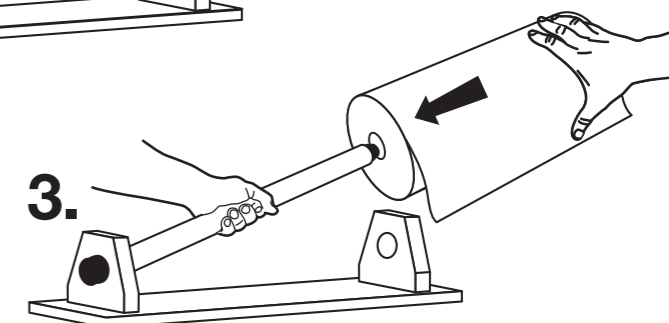
1.



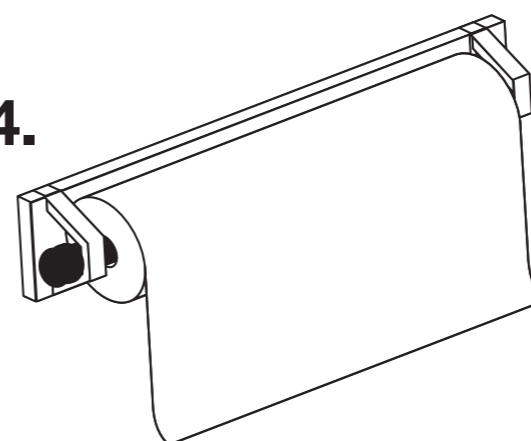
2.



3.



4.



2.